



Drain Locks



Lock & Stop Drain-Lock

Installation Instructions (page 1)

1. Remove dome strainer (if present) and drain cover.

Dome strainers have wide slots which allow too much debris and trash to enter the drain. We suggest using a Flexible Drain Sock to filter out solid waste in your drains and prevent potential drain clogs.

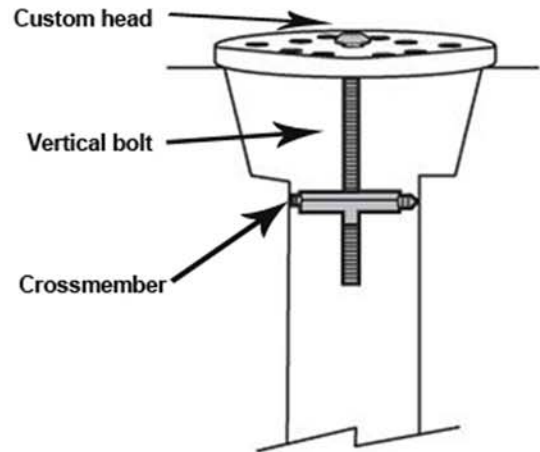


Dome strainers don't work



Use a Flexible Drain Sock

Lock and Stop Diagram (side view of drain)



2. Size the crossmember

Rotate the bolts out of the hexagon so they are approximately equal in length and can easily fit into the drain.



3. Insert

Place the Lock & Stop in the drain using the provided installation tool.



4. Twist

Rotate the hexagon to extend the screws until they are pressed firmly against the inner wall of the pipe.



5. Tighten

Tighten the hexagon with a wrench until the hole is aligned with the center hole in your drain cover. If there is no hole in the center of the drain cover, use a drill to create a hole, or use a Universal Drain Cover (available at drain-net.com).



©2013 Drain-Net Technologies • All rights reserved



Drain Locks



Lock & Stop Drain-Lock

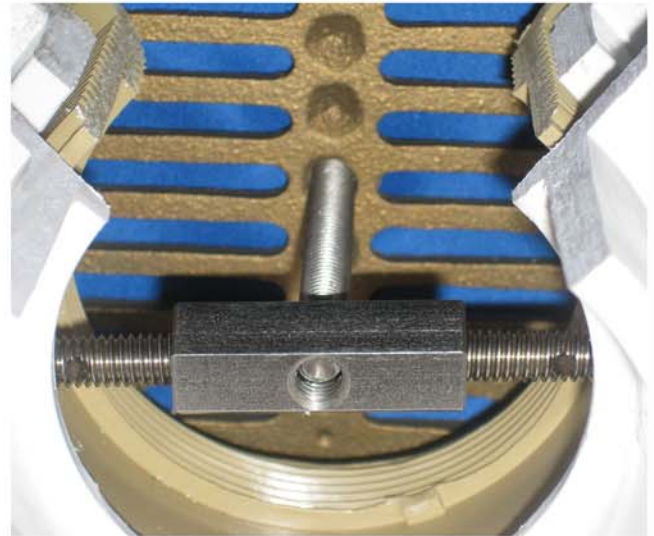
Installation Instructions (page 2)

6. Bolt down drain cover

Place the drain cover back over the drain and insert the vertical bolt through the center drain hole and into the hole in the cross member (hex bolt). The vertical bolt secures your drain to the crossmember.



view from above



view from below

7. Lock with spanner bit

Tighten the Lock & Stop vertical bolt with the unique spanner bit we provide to lock your drain and stop others from accessing your drains.



NEED A NEW DRAIN COVER?



Universal
Drain Cover

7" Product Code: DN847-7

9" Product Code: DN847-9

+



Lock & Stop

=



**UNIVERSAL
LOCKING
DRAIN COVER**

©2013 Drain-Net Technologies • All rights reserved