

Item #: \_\_\_\_\_ Qty #: \_\_\_\_\_

Model #: \_\_\_\_\_

Project #: \_\_\_\_\_



**9-OP-24FM-SSRL**  
Shown



**Flush-To-Floor**  
Design



**Mop Bucket**  
Easily Rolls In



**2 pc. Removable**  
"Subway-Style" Grate

**FEATURES:**

- Easy mop bucket roll-in design.
- Standard backsplash with left & right splash, Left splash or right splash available.
- 4" O.D. - 3" Long drain sleeve.
- Anti-splash guards (Front & rear).
- Waste receptacle will accommodate up to a 4" waste pipe.
- Removable perforated stainless steel strainer basket with handle provided.
- Pitched towards waste.
- Includes stainless steel or fiberglass "Subway Style" grating.
- Grating comes in two sections for easy removal for cleaning. Grating is closely spaced between bars to prevent casters from getting trapped.

**CONSTRUCTION:**

- All TIG welded.
- Welded areas blended to match adjacent surfaces and to a satin finish

**MECHANICAL:**

16 Gauge type "304" series stainless steel sink bowl.

**GRATING SIZE:**

21 3/16" (Left to Right) x 21 3/4" (Front to Back)

**Bottom Drain Assembly Diagram  
FOR NEW CONSTRUCTION ONLY**

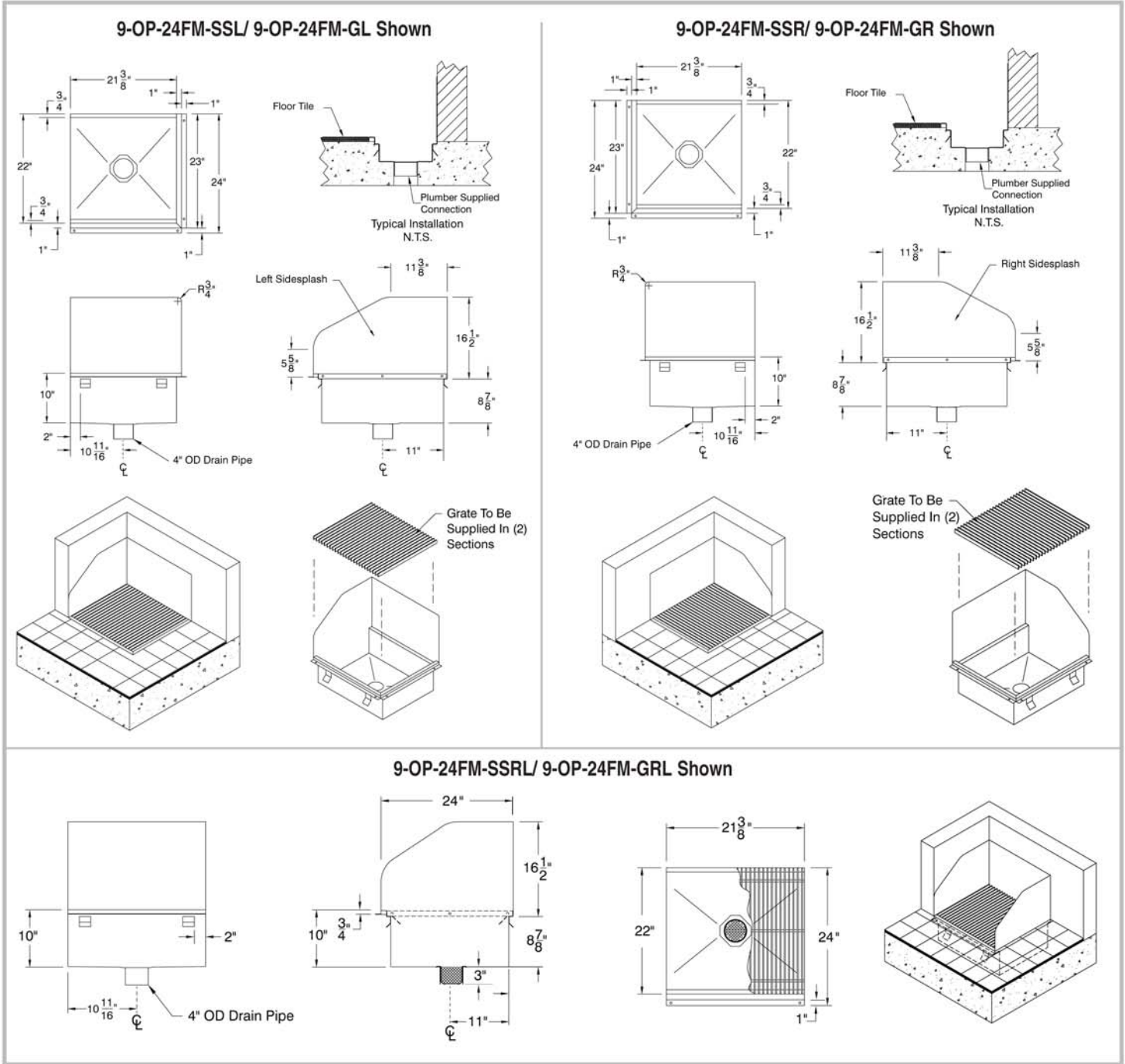


	Model #	Overall Length	Sink Dimension	Splash Location	Approx. Wt.	Approx. Cu.
<b>STAINLESS STEEL GRATES</b>	9-OP-24FM-SSRL	21 3/8" x 24"	21 3/8" x 22" x 10"	Back, Left & Right	128 lbs.	14
	9-OP-24FM-SSL	23 3/8" x 24"	21 3/8" x 22" x 10"	Back & Left	120 lbs.	14
	9-OP-24FM-SSR	23 3/8" x 24"	21 3/8" x 22" x 10"	Back & Right	120 lbs.	14
<b>FIBERGLASS GRATES</b>	9-OP-24FM-FGRL	21 3/8" x 24"	21 3/8" x 22" x 10"	Back, Left & Right	96 lbs.	14
	9-OP-24FM-FGL	23 3/8" x 24"	21 3/8" x 22" x 10"	Back & Left	88 lbs.	14
	9-OP-24FM-FGR	23 3/8" x 24"	21 3/8" x 22" x 10"	Back & Right	88 lbs.	14

# DIMENSIONS and SPECIFICATIONS

ALL DIMENSIONS ARE TYPICAL

TOL ± .500"



## Mop Sink Accessories

Service Faucet  
For Mop Sinks

8" O.C.

K-240



Service Faucet Vacuum  
Breaker Repair Kit

K-03



Mop Sink  
Replacement Drain

K-16



Strainer Basket  
with Handle

FT-2



23" Wide  
Mop Hanger

K-242



Hose & Hanger

K-244



**DrainNet**  
TECHNOLOGIES

Drain-Net Technologies  
185 H Industrial Parkway  
Branchburg, NJ 08876

Tel: 908-236-0277  
Fax: 908-236-0278  
Email: sales@drain-net.com

WWW.DRAIN-NET.COM