

**SINGLE DOOR MOP SINK CABINET**



Item #:	_____	Qty #:	_____
Model #:	_____		
Project #:	_____		



Cabinet Includes Floor Mop Sink

**FEATURES:**

- 16" x 20" x 12" Sink Bowl with drain
- Louvered Side Panels for ventilation
- Single Left-Hinged Door
- Fixed Stainless Steel Utility Shelf
- 2 Mop Holders (1 on each side)

**CONSTRUCTION:**

All TIG welded.  
Welded areas blended to match adjacent surfaces and to a satin finish.

**MATERIAL:**

- 16 gauge type "304" Series Sink Bowl
- 18 gauge type "304" Series Sink Bowl Apron
- 9-OPC-84** - 18 gauge type "430" Series Stainless Steel Cabinet
- 9-OPC-84-300** - 18 gauge type "300" Series Stainless Steel Cabinet

**OPTIONS:**

- TA-46** Door Lock
- K-94-SHELF** Fixed Mid-shelf for 84" High Cabinets
- K-94-BACK** Add 430 Stainless Steel Back Panel
- K-94-BACK-300** Add 300 Stainless Steel Back Panel
- K-472** Add 8" O.C. Faucet Holes for Service Faucet (Must provide faucet hole height location)
- K-240** Service Faucet
- CAB-R** Modify Unit to a Right-Hand Door Swing
- Standard Left-Hand Door Swing (If required, specify optional right-hand door swing when ordered)

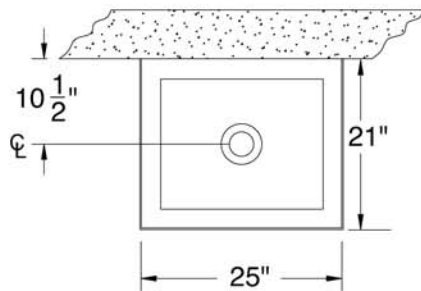
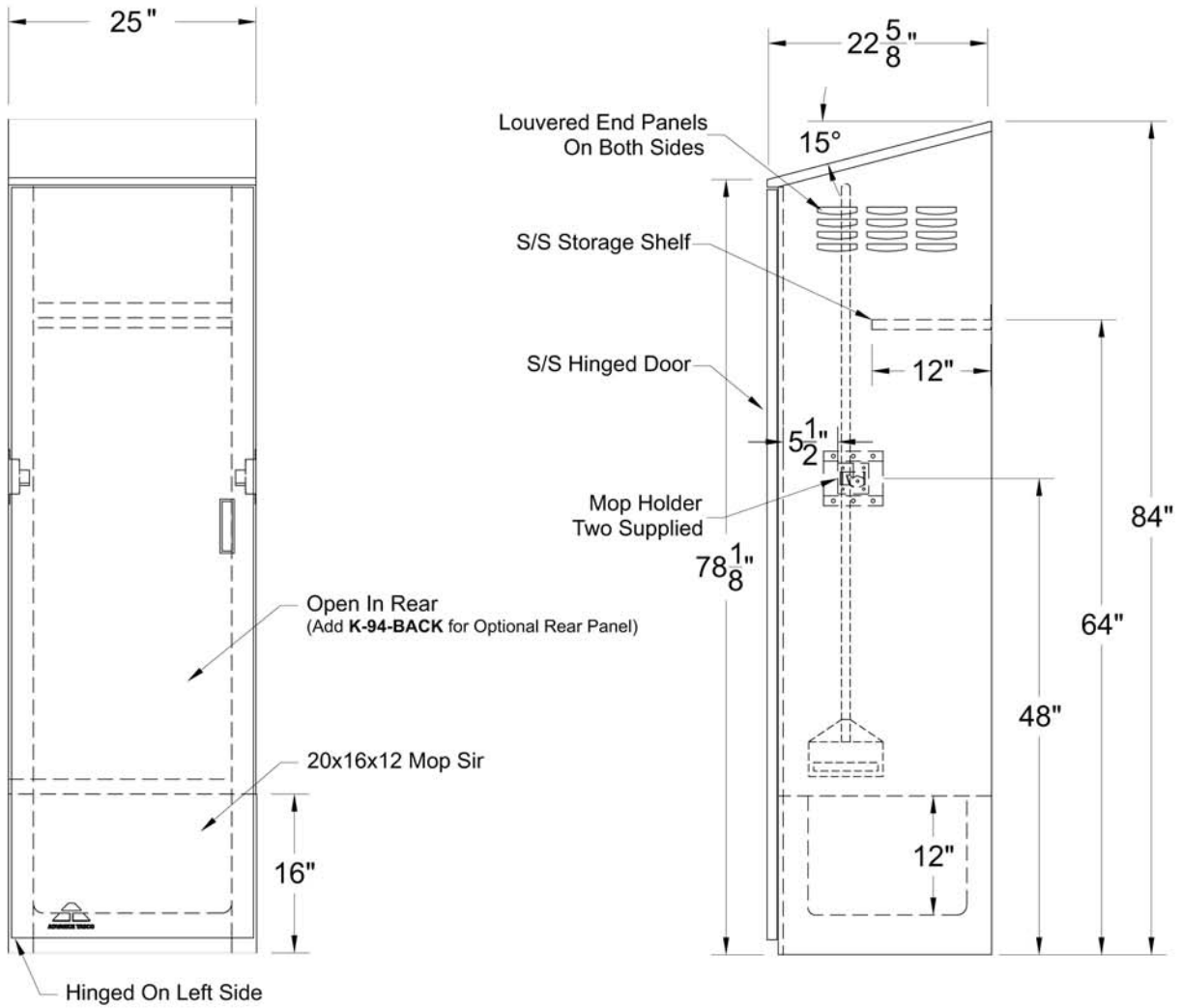


Model #	Cabinet Material
9-OPC-84	18 Ga., 430 S/S
9-OPC-84-300	18 Ga., 300 S/S

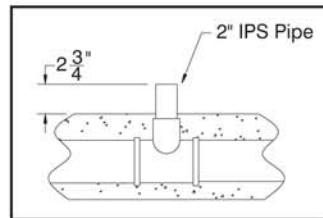
# DIMENSIONS and SPECIFICATIONS

ALL DIMENSIONS ARE TYPICAL

TOL ± .500"



Mop Sink Detail



Drain Detail

250 lbs.