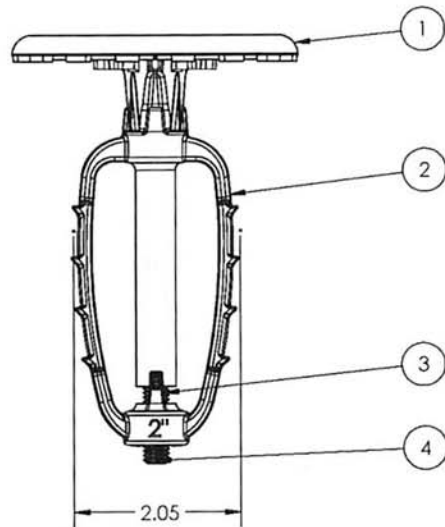
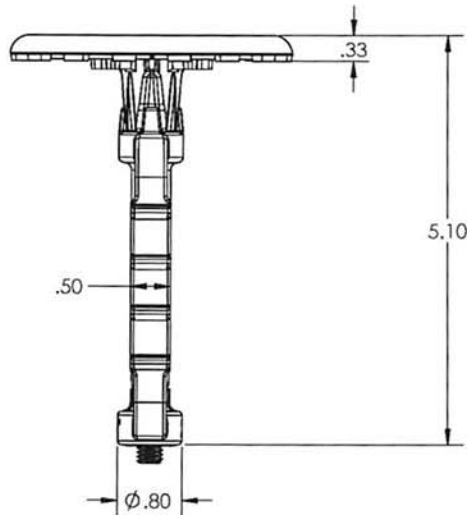
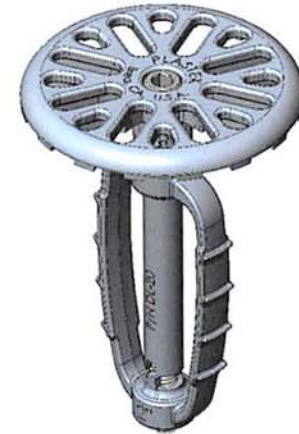
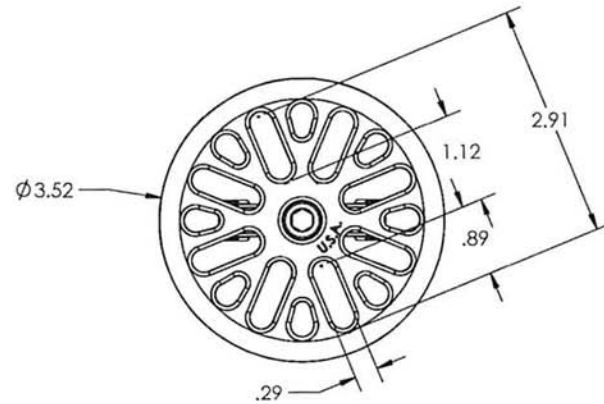


REVISIONS		
REV	DESCRIPTION	DATE
A	INITIAL RELEASE	6/14/18



ITEM NO.	DESCRIPTION	QTY.
1	DL-20 Drain Cap - Nylon MF/GF	1
2	DL-20 Expander	1
3	5/16-18 x 5" Type 304 SS Socket Head Cap Screw	1
4	5/16-18 Brass Hex Nut	1

UNLESS OTHERWISE SPECIFIED:		NAME	DATE	2" Pro-Tech™ Drain Lock - Flat
DIMENSIONS ARE IN INCHES	DRAWN	RKL	6/14/18	
TOLERANCES:	CHECKED			TITLE: PTDL-20-SB
FRACTIONAL: ±1/64	ENG APPR.			
ANGULAR: ±2°	MFG APPR.			
TWO PLACE DECIMAL: ±0.01	Q.A.			SIZE DWG. NO. REV <b>B</b> DL-20 Assy <b>A</b>
THREE PLACE DECIMAL: ±0.010	COMMENTS:			
INTERPRET GEOMETRIC TOLERANCING PER MATERIAL				SCALE: 2:3 WEIGHT: SHEET 1 OF 1
DO NOT SCALE DRAWING				